



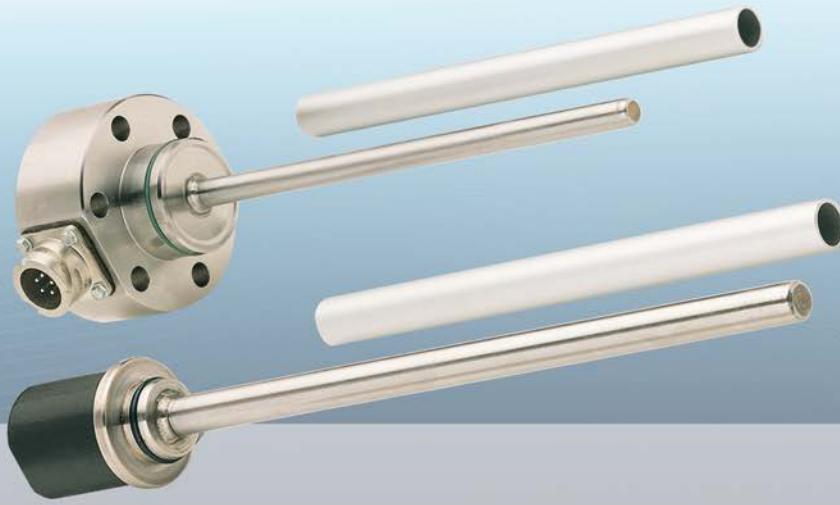
More Precision.

induSENSOR

Linear inductive displacement sensors



18 EDS series - long-stroke sensors for hydraulics & pneumatics



Measurement ranges 75 ... 630mm
Linearity ±0.3% FSO
Integrated microelectronics
High pressure resistance
Oil resistant and maintenance-free
Short offset ranges

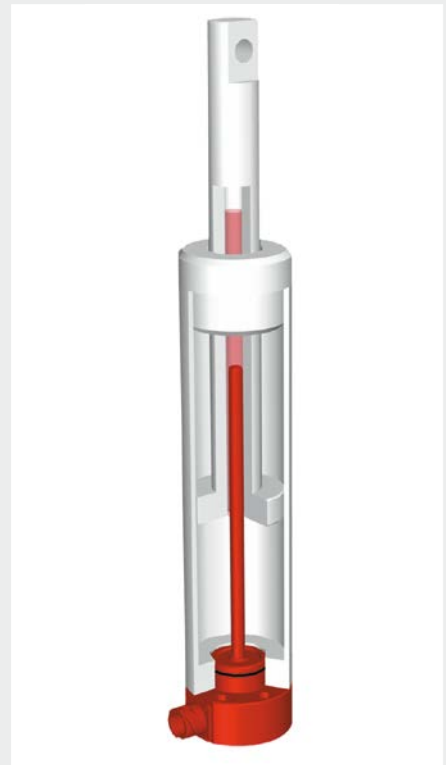
The sensor elements of the EDS series are protected by a pressure resistant stainless steel housing. The sensor electronics and signal conditioning are completely integrated in a sensor flange.

As a target an aluminium sleeve is used which is integrated into the piston rod and is passed without making contact and wearfree over the sensor rod. Integration in a hydraulic cylinder
 Due to the use of the eddy current principle, no permanent magnets need to be mounted inside the cylinder.

Due to the rugged design of the long-stroke sensors of the EDS series, these sensor systems have proven themselves, not only through the integration in hydraulic and pneumatic cylinders, but especially under harsh industrial conditions.

Typical applications

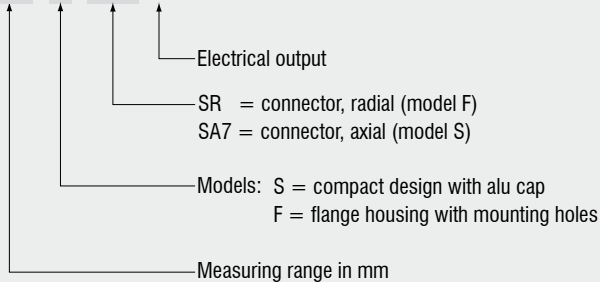
- Long-stroke sensors in the EDS series are designed for industrial use in hydraulic and pneumatic cylinders for the displacement and position measurement of pistons or valves, e.g. for the measurement of
- displacement, distance, position, gap
 - deflection
 - movement, stroke
 - filling level, immersion depth, spring travel



EDS series: integration in a hydraulic cylinder

Article

EDS - 300 - S - SA7 - I



Accessories for VIP, LVP, LDR, EDS and LVDT series

Accessories

2960031	MC25D	digital micrometer calibration fixture
2420062	PS2020	power supply on DIN rail, input 100 - 240VAC, output 24VDC / 2.5A
2984026	certificate	function and linearity inspection certificate incl. protocol with listed measurement data of the linearity inspection and documentation

Accessories VIP and LVP series

Connection cable

0157043	C703-5	VIP/LVP/EDS 7-pin connection cable, 5m
2902084	C703-5/U	VIP/LVP/EDS 7-pin connection cable, 5m for voltage output 1 - 5V
0157050	C703/90-5	VIP/LVP/EDS-7-pin connection cable, 5m with 90° cable connector
2962001	MBS 12/8	mounting set for VIP series with 3 mounting blocks and 2 adapting rings
0487087	MBS 12/8	mounting block VIP/LVP series

Plunger

0800114	LVP-50	plunger
0800115	LVP-100	plunger
0800116	LVP-200	plunger

Accessories LDR series

Connection cable

0157047	C7210-5/3	sensor cable, 5m, with cable connector
0157048	C7210/90-5/3	sensor cable, 5m, with 90° cable connector

Supply cable

2901087	PC710-6/4	supply/output cable, 6m
---------	-----------	-------------------------

Plunger

0800136	LDR-10	plunger
0800137	LDR-25	plunger
0800138	LDR-50	plunger

Accessories EDS series

Service

2985001		Function and linearity inspection for EDS series incl. pressure inspection and documentation without recalibration
---------	--	---

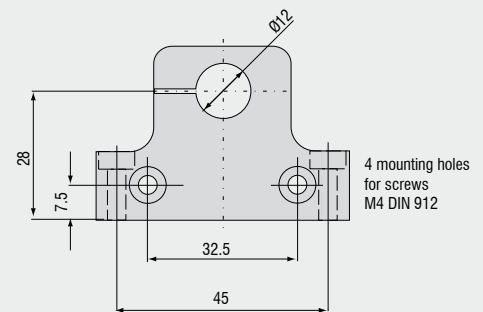
Connection cable

0157043	C703-5	VIP/LVP/EDS 7-pin connection cable for S series, 5m
2902084	C703-5/U	VIP/LVP/EDS 7-pin connection cable for S series, 5m for voltage output 1 - 5V
0157050	C703/90-5	VIP/LVP/EDS 7-pin connection cable for S series, 5m with 90° cable connector
2901143	C705-5	VIP/LVP/EDS -pin connection cable for F series, 5m
2901160	C705-15	VIP/LVP/EDS -pin connection cable for F series, 15m



Linearity inspection certificate

Mounting block VIP and LVP series



Accessories **LVDT series**

Sensor cable

2902004	C701-3	sensor cable 3m, with connector and tin-plated free ends
2902013	C701-6	sensor cable, 6m, with connector and tin-plated free ends
2902009	C701/90-3	sensor cable, 3m, with 90° connector and tin-plated free ends
2966002		MSC710 connector set for supply/output cable
2981010		connector mounting and calibration of MSC710

Connection cable

2901087	PC710-6/4	supply/output cable, 6 m
---------	-----------	--------------------------

Plunger

0800001	DTA-1D	plunger
0800002	DTA-3D	plunger
0800003	DTA-5D	plunger
0800004	DTA-10D	plunger
0800005	DTA-15D	plunger
0800006	DTA-25D	plunger

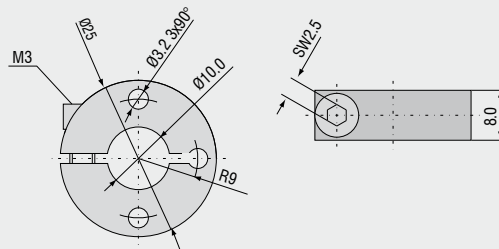
Flange

0483090.01	DTA-F10	mounting flange, slotted for DTA-1D, DTA-3D, DTA-5D, DTA-10D
0483083.02	DTA-F20	mounting flange, slotted for DTA-15D, DTA-25D

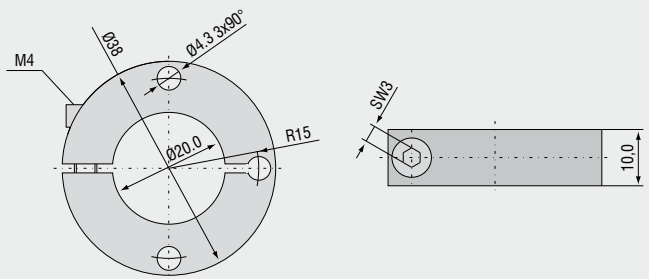
Probe tips

0459002	type 2
0459001	type 2 hard metall
0459003	type 11
0459004	type 13

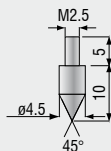
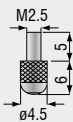
Flange DTA-F10



Flange DTA-F20



Standard probe tip: type 2 Option: type 11 Option: type 13



High performance sensors made by Micro-Epsilon



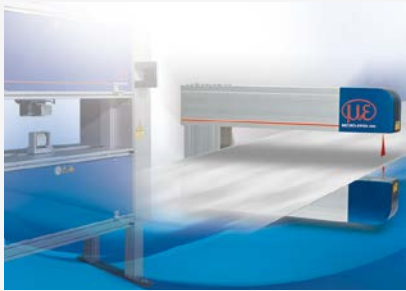
Sensors and systems for displacement and position



Sensors and measurement devices for non-contact temperature measurement



2D/3D profile sensors (laser scanner)



Measurement and inspection systems for quality assurance



Optical micrometers, fibre optic sensors and fiber optics



Colour recognition sensors, LED analyzers and colour online spectrometer